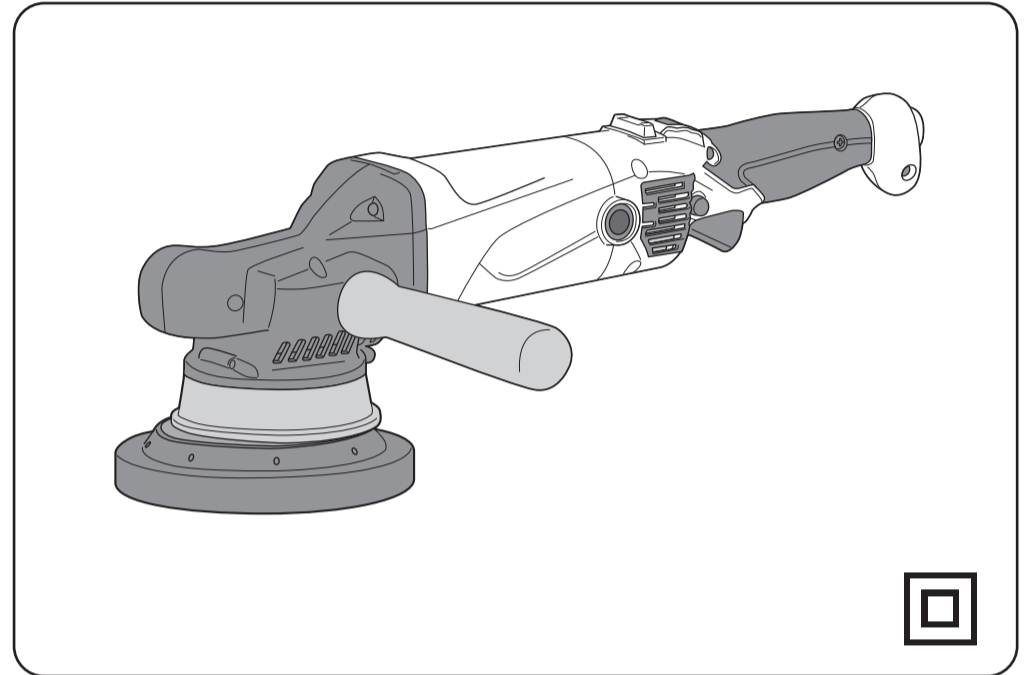


APED151G

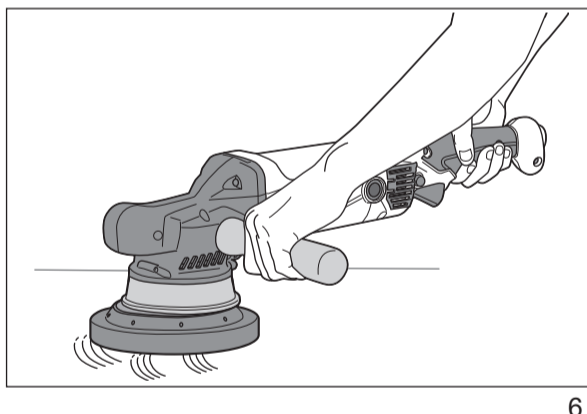
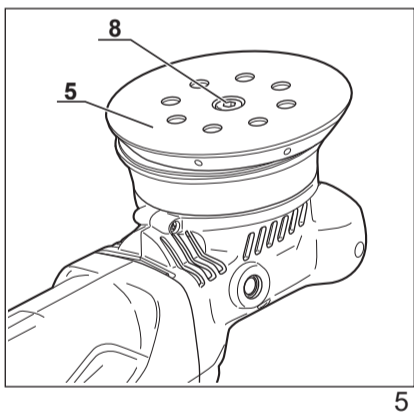
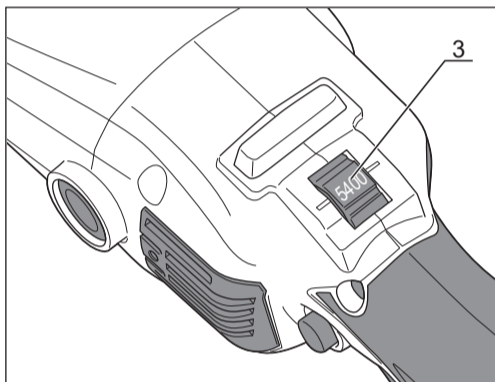
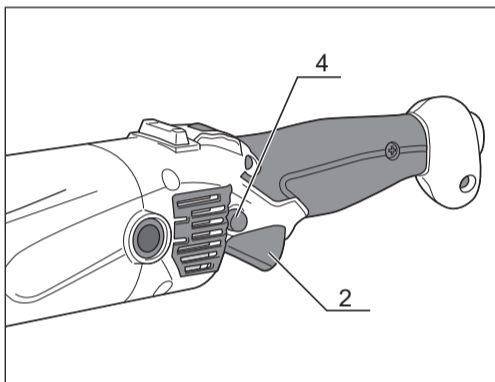
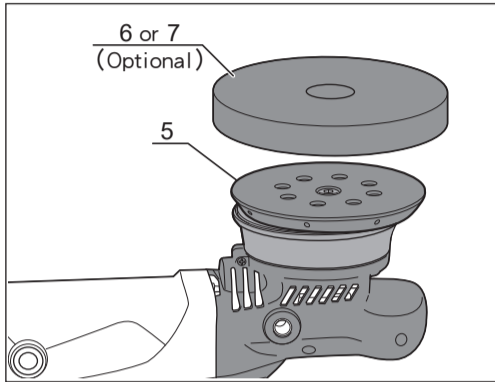
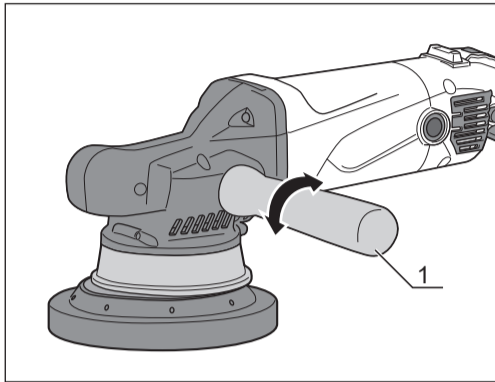
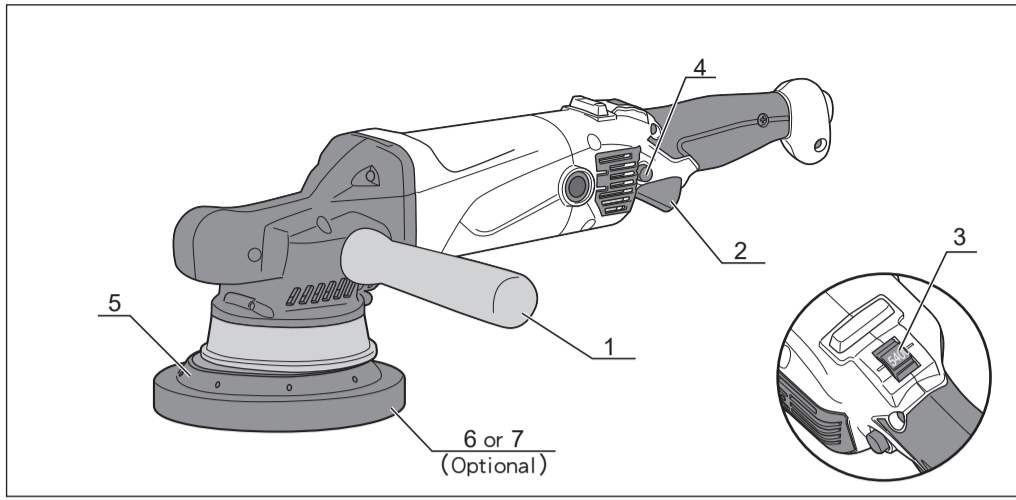
GB OWNER'S OPERATING MANUAL



KYOCERA Industrial Tools Corporation
2-2-54 Matsuhama-cho, Fukuyama-shi,
Hiroshima-ken, 720-0802 Japan



69801089-00 STD
01-22



THANK YOU FOR BUYING OUR PRODUCT.
To ensure your safety and satisfaction, carefully read through this OWNER'S MANUAL before using the product.

General power tool safety warnings

⚠ WARNING Read all safety warnings, instructions, illustrations and specifications provided with this power tool. Failure to follow all instructions listed below may result in electric shock, fire and/or serious injury.

Save all warnings and instructions for future reference.

The term "power tool" in the warnings refers to your mains-operated (corded) power tool or battery-operated (cordless) power tool.

- 1) **Work area safety**
 - a) **Keep work area clean and well lit.** Cluttered or dark areas invite accidents.
 - b) **Do not operate power tools in explosive atmospheres, such as in the presence of flammable liquids, gases or dust.** Power tools create sparks which may ignite the dust or fumes.
 - c) **Keep children and bystanders away while operating a power tool.** Distractions can cause you to lose control.
- 2) **Electrical safety**
 - a) **Power tool plugs must match the outlet. Never modify the plug in any way. Do not use any adapter plugs with earthed (grounded) power tools.** Unmodified plugs and matching outlets will reduce risk of electric shock.
 - b) **Avoid body contact with earthed or grounded surfaces, such as pipes, radiators, ranges and refrigerators.** There is an increased risk of electric shock if your body is earthed or grounded.
 - c) **Do not expose power tools to rain or wet conditions.** Water entering a power tool will increase the risk of electric shock.
 - d) **Do not abuse the cord. Never use the cord for carrying, pulling or unplugging the power tool. Keep cord away from heat, oil, sharp edges or moving parts.** Damaged or entangled cords increase the risk of electric shock.
 - e) **When operating a power tool outdoors, use an extension cord suitable for outdoor use.** Use of a cord suitable for outdoor use reduces the risk of electric shock.
 - f) **If operating a power tool in a damp location is unavoidable, use a residual current device (RCD) protected supply.** Use of an RCD reduces the risk of electric shock.
- 3) **Personal safety**
 - a) **Stay alert, watch what you are doing and use common sense when operating a power tool. Do not use a power tool while you are tired or under the influence of drugs, alcohol or medication.** A moment of inattention while operating power tools may result in serious personal injury.
 - b) **Use personal protective equipment. Always wear eye protection.** Protective equipment such as a dust mask, non-skid safety shoes, hard hat or hearing protection used for appropriate conditions will reduce personal injuries.
 - c) **Prevent unintentional starting. Ensure the switch is in the off-position before connecting to power source and/or battery pack, picking up or carrying the tool. Carrying power tools with your finger on the switch or energising power tools that have the switch on invites accidents.**

- d) **Remove any adjusting key or wrench before turning the power tool on.** A wrench or a key left attached to a rotating part of the power tool may result in personal injury.
 - e) **Do not overreach. Keep proper footing and balance at all times.** This enables better control of the power tool in unexpected situations.
 - f) **Dress properly. Do not wear loose clothing or jewellery. Keep your hair and clothing away from moving parts.** Loose clothes, jewellery or long hair can be caught in moving parts.
 - g) **If devices are provided for the connection of dust extraction and collection facilities, ensure these are connected and properly used.** Use of dust collection can reduce dust-related hazards.
 - h) **Do not let familiarity gained from frequent use of tools allow you to become complacent and ignore tool safety principles.** A careless action can cause severe injury within a fraction of a second.
- 4) **Power tool use and care**
- a) **Do not force the power tool. Use the correct power tool for your application.** The correct power tool will do the job better and safer at the rate for which it was designed.
 - b) **Do not use the power tool if the switch does not turn it on and off.** Any power tool that cannot be controlled with the switch is dangerous and must be repaired.
 - c) **Disconnect the plug from the power source and/or remove the battery pack, if detachable, from the power tool before making any adjustments, changing accessories, or storing power tools.** Such preventive safety measures reduce the risk of starting the power tool accidentally.
 - d) **Store idle power tools out of the reach of children and do not allow persons unfamiliar with the power tool or these instructions to operate the power tool.** Power tools are dangerous in the hands of untrained users.
 - e) **Maintain power tools and accessories. Check for misalignment or binding of moving parts, breakage of parts and any other condition that may affect the power tool's operation. If damaged, have the power tool repaired before use.** Many accidents are caused by poorly maintained power tools.
 - f) **Keep cutting tools sharp and clean.** Properly maintained cutting tools with sharp cutting edges are less likely to bind and are easier to control.
 - g) **Use the power tool, accessories and tool bits etc. in accordance with these instructions, taking into account the working conditions and the work to be performed.** Use of the power tool for operations different from those intended could result in a hazardous situation.
 - h) **Keep handles and grasping surfaces dry, clean and free from oil and grease.** Slippery handles and grasping surfaces do not allow for safe handling and control of the tool in unexpected situations.
- 5) **Service**
- a) **Have your power tool serviced by a qualified repair person using only identical replacement parts.** This will ensure that the safety of the power tool is maintained.

INSTRUCTIONS FOR SAFE HANDLING

1. Make sure that the tool is only connected to the voltage marked on the name plate.
2. Never use the tool if its cover or any bolts are missing. If the cover or bolts have been removed, replace them prior to use. Maintain all parts in good working order.
3. Always secure tools when working in elevated positions.
4. Never touch the blade, drill bit, grinding wheel or other moving parts during use.
5. Never start a tool when its rotating component is in contact with the work piece.
6. Never lay a tool down before its moving parts have come to a complete stop.
7. **ACCESSORIES** : The use of accessories or attachments other than those recommended in this manual might present a hazard.
8. **REPLACEMENT PARTS** : When servicing, use only identical replacement parts.
9. When operating, use the auxiliary handle provided with the tool.
10. Never wet the polishing surface since this may cause electric shocks.

DESCRIPTION

1. Aux. handle
2. Switch
3. Speed adjustment dial
4. Lock button
5. Pad
6. Sponge buff 150mm (optional)
7. Wool buff 150mm (optional)
8. Screw

SPECIFICATIONS

| | |
|----------------|---------------------------------|
| Input | 1,010 W |
| Pad size | 123 mm |
| Buff size | 150 mm |
| No load speed | 1,600 – 5,400 min ⁻¹ |
| Overall length | 469 mm |
| Net weight | 2.9 kg |

STANDARD ACCESSORIES

Aux. handle

OPTIONAL ACCESSORIES

Sponge buff 150mm
Wool buff 150mm

APPLICATIONS

(Use only for the purposes listed below.)
1. polishing the surface of automobiles.

ATTACHING THE AUX. HANDLE (Fig. 1)

When using the tool, attach the aux. handle (1) to the screw holes in the side of the gear case.

ATTACHING THE ACCESSORIES (Fig. 2)

WARNING!
Always disconnect the power cord from the power supply before attaching or removing the accessories.

Attach the optional accessory (6 or 7) so that it can be positioned at the center of pad.

SWITCH (Fig. 3)

This tool is started and stopped by depressing and releasing the switch (2).
For continuous operation, press the lock button (4) while switch is depressed. Depress again to release the lock.

CHANGING THE SPEED (Fig. 4)

This tool operates at speeds of 1,600 – 5,400 min⁻¹.
The speed adjustment dial (3) permits adjustments while the tool is running and allows operation at the desired speed.

CHANGING THE RUBBER PAD (Fig. 5)

Damaged rubber pads must be replaced immediately.
The rubber pad can be easily removed by removing the screw (8) with a Hex. key wrench (3mm). A new rubber pad can be attached by setting the rubber pad on the tool with the screw holes aligned and firmly tightening the screw.

OPERATING (Fig. 6)

NEVER COVER THE AIR VENTS SINCE THEY MUST ALWAYS BE OPEN FOR PROPER MOTOR COOLING.
The key to efficient operation is controlling the pressure and surface contact between the polishing buff and work piece.
The rotation speed can be controlled by the speed adjustment dial (3) to obtain the most suitable speed for polishing.

MAINTENANCE

After use, check the tool to make sure that it is in top condition.
It is recommended that you take this tool to an Authorized Service Center for a thorough cleaning and lubrication at least once a year.

DO NOT MAKE ANY ADJUSTMENTS WHILE THE MOTOR IS IN MOTION.
ALWAYS DISCONNECT THE POWER CORD FROM THE RECEPTACLE BEFORE CHANGING REMOVABLE OR EXPENDABLE PARTS (BLADE, BIT, SANDING PAPER ETC.), LUBRICATING OR WORKING ON THE UNIT.

WARNING!

To ensure safety and reliability, all repairs should be performed by an AUTHORIZED SERVICE CENTER or other QUALIFIED SERVICE ORGANIZATION.

SAVE THESE INSTRUCTIONS FOR FUTURE REFERENCE.

⚠ WARNING Always wear eye protection"

⚠ WARNING To reduce the risk of injury, user must read instruction manual "

⚠ Class II construction tool in which protection against electric shock does not rely on basic insulation only, but in which additional safety precaution, such as double insulation or reinforced insulation, are provided."